

MDS-1000 Levelling & Drilling System

Standard Kit MDS-1000
Levelling

Optional MDS-1000
Drilling (including Depth
Gauge)

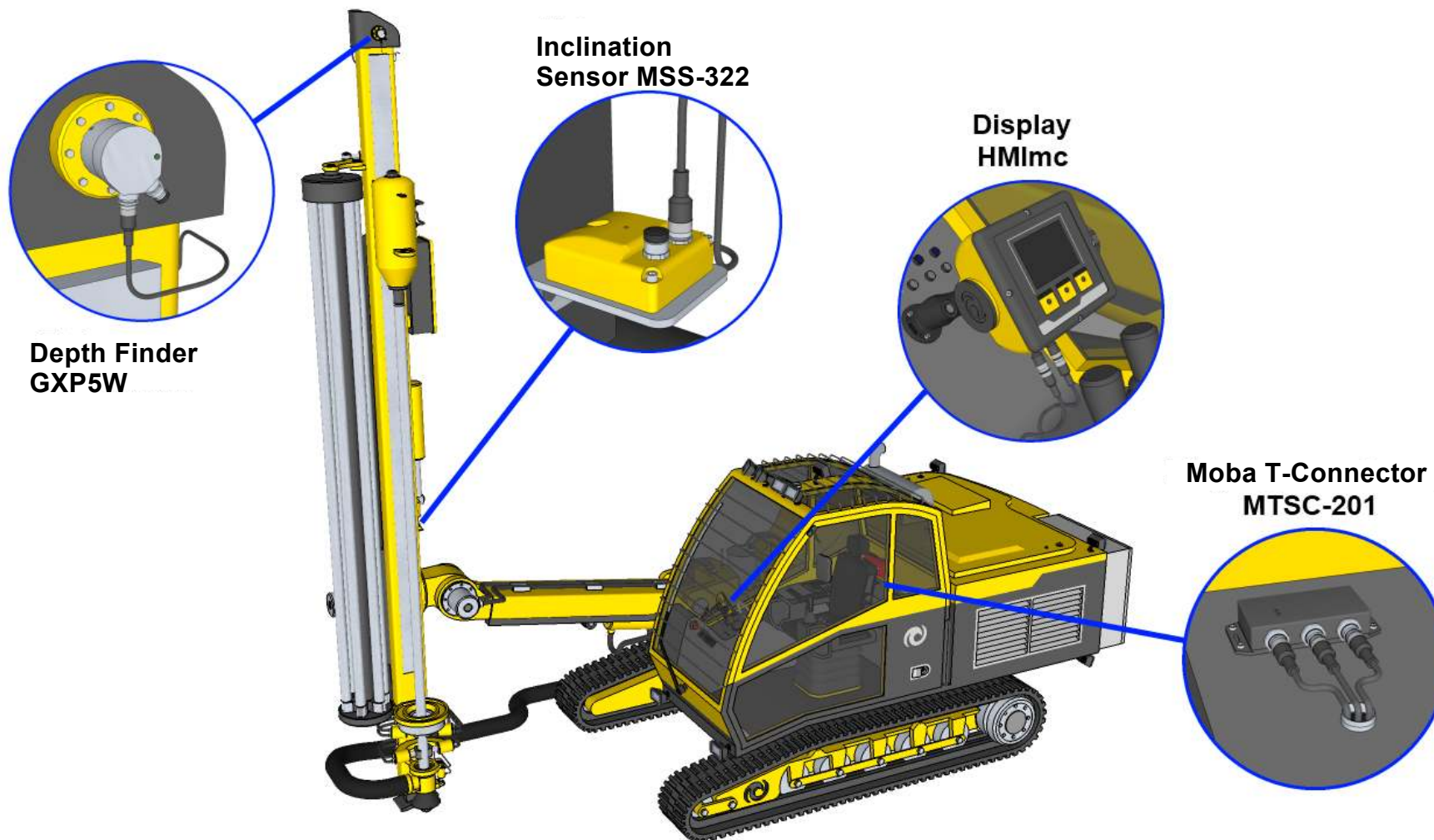




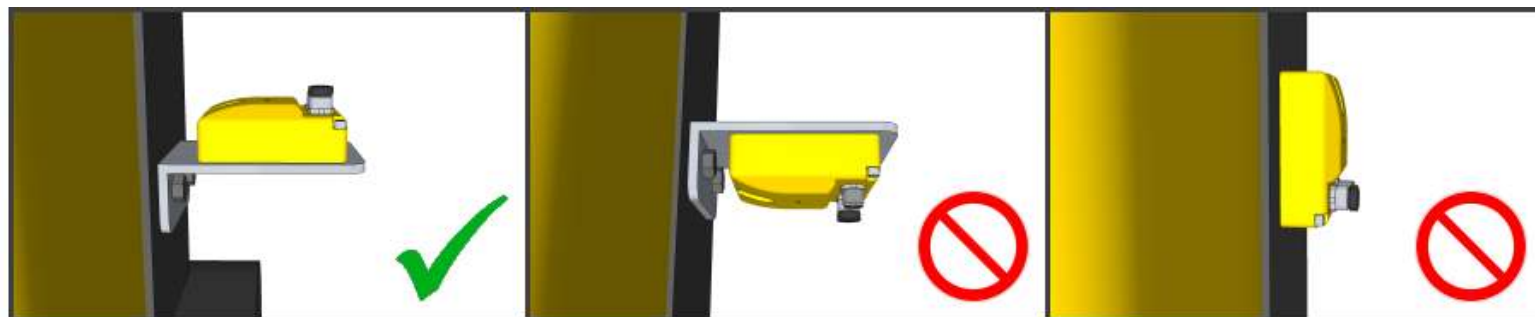
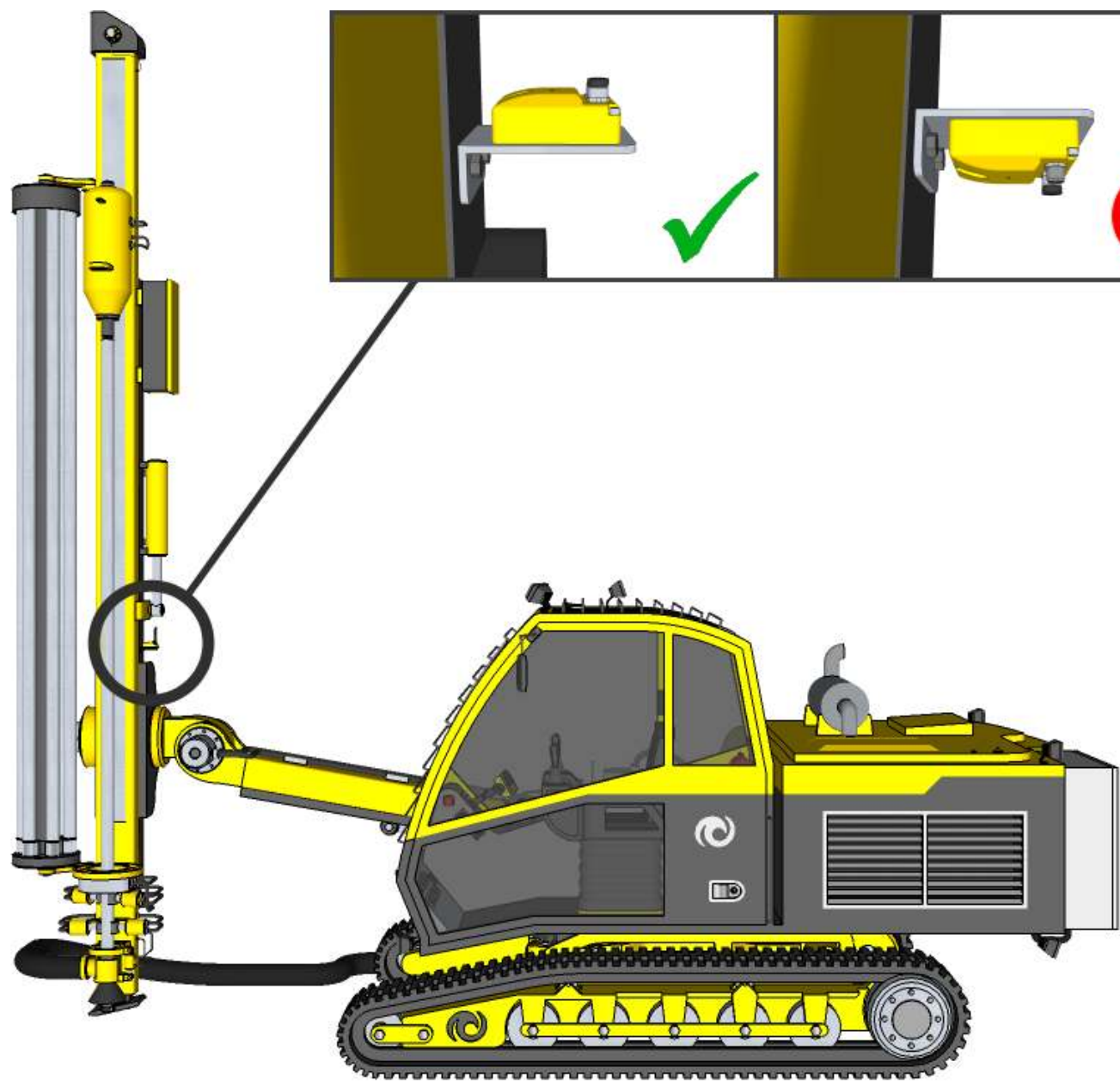
**Depth Finder
GXP5W**

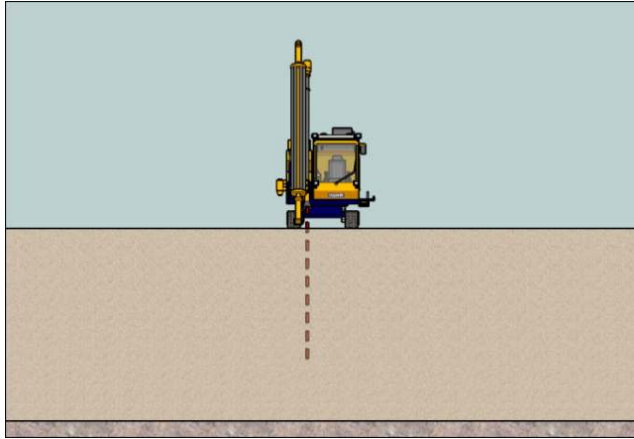
**MOBA
T-Connector
MTSC-201**

**For Depth Indication:
Depth Finder GXP5W and Moba T-Connector MTSC-201**

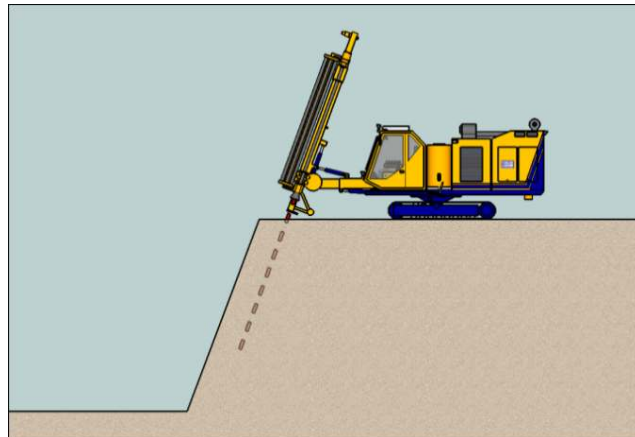


Sensor mounting

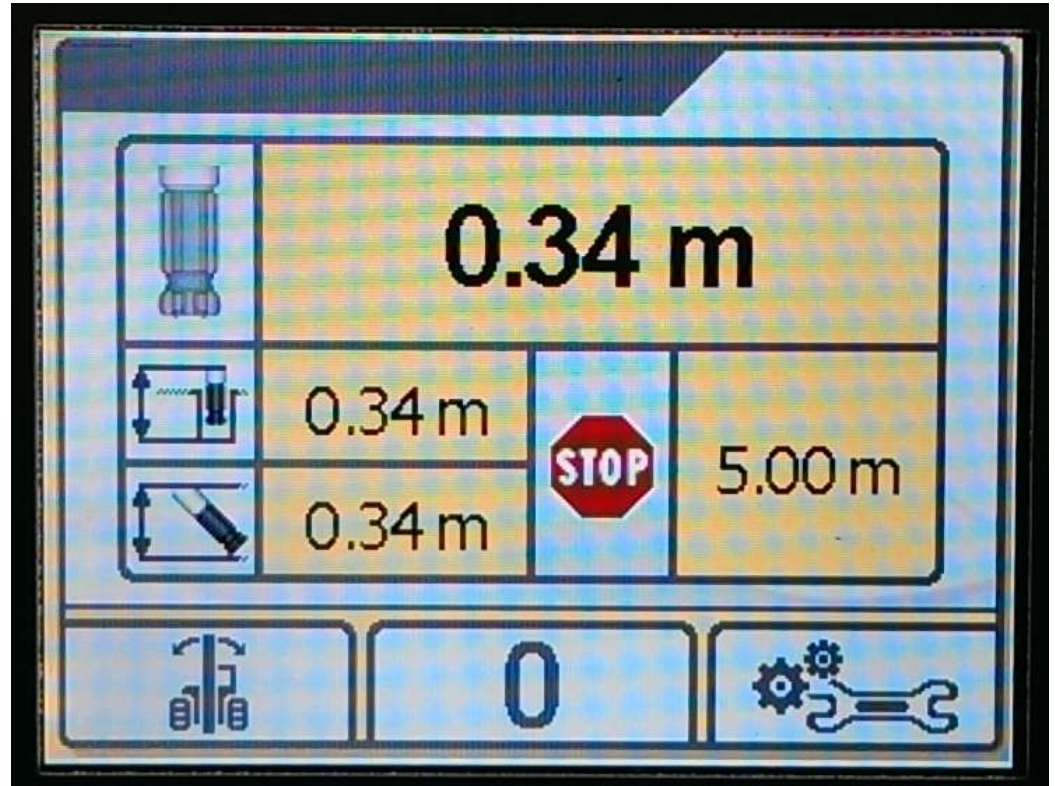
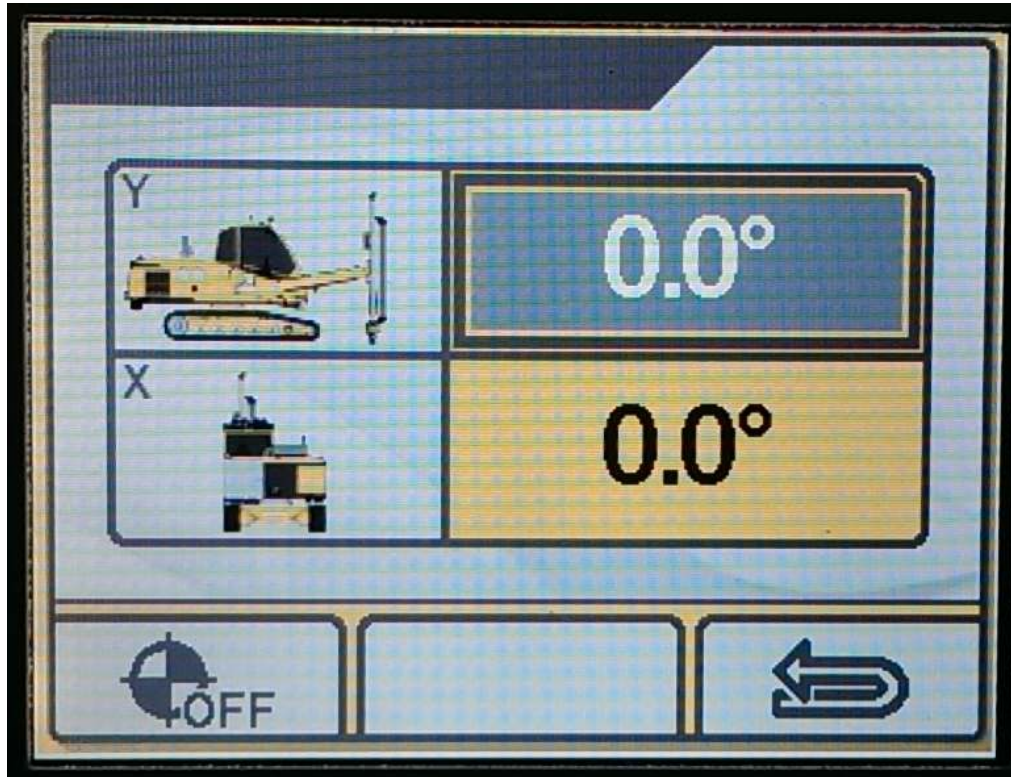


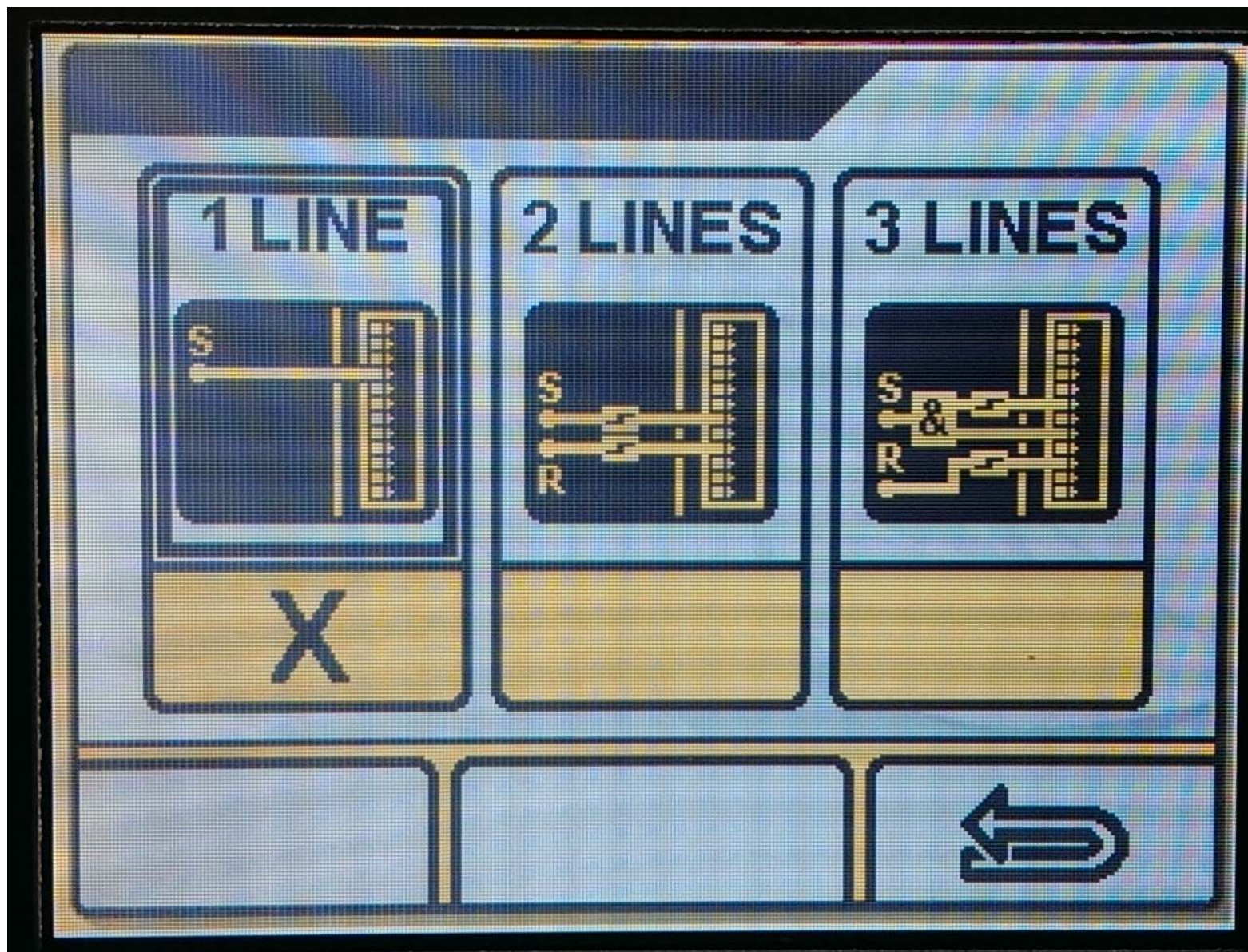


Operator moves machine to drill mark
and sets up x- and y-angle to desired values (e.g. 20° / 0°).

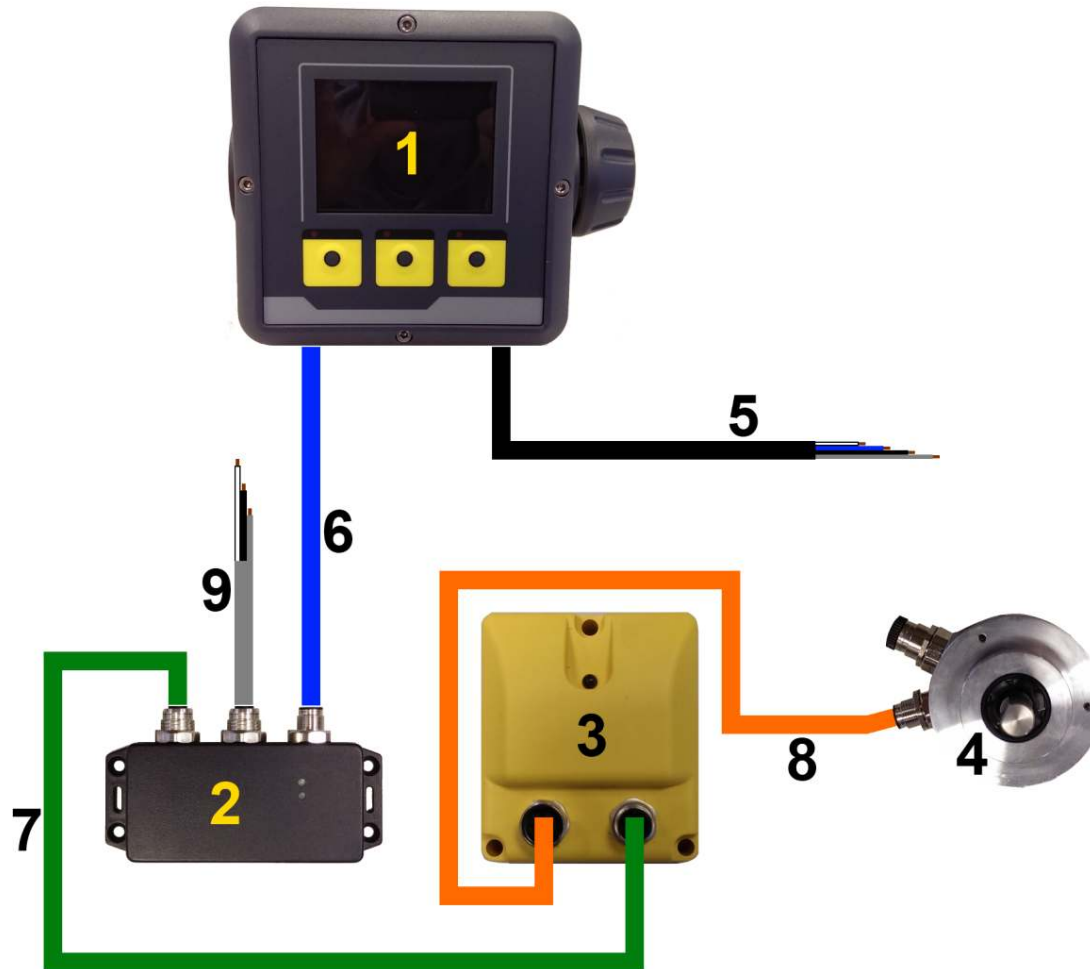


Set angle and depth





- **MDS 1000 is an add on system for Drilling**
- **MDS 2000 is developed for all drill machines. The focus is to excavator drill attachments**
- **Easy to mount for end users**
- **Distribution via OEM and dealer**





For further information please call or email us



**Measuring, levelling
and layout solutions
for all trades**

Mining - Aligning - Engineering - Environmental - Civil Construction
Surveying - Geological - Glass Testing - Speed Detection

GSR Laser Tools
Unit 7 / 7 Prindiville Drive - Wangara WA 6065 - Ph: 08 9409 4058
sales@gsrlasertools.com.au - www.gsrlasertools.com.au