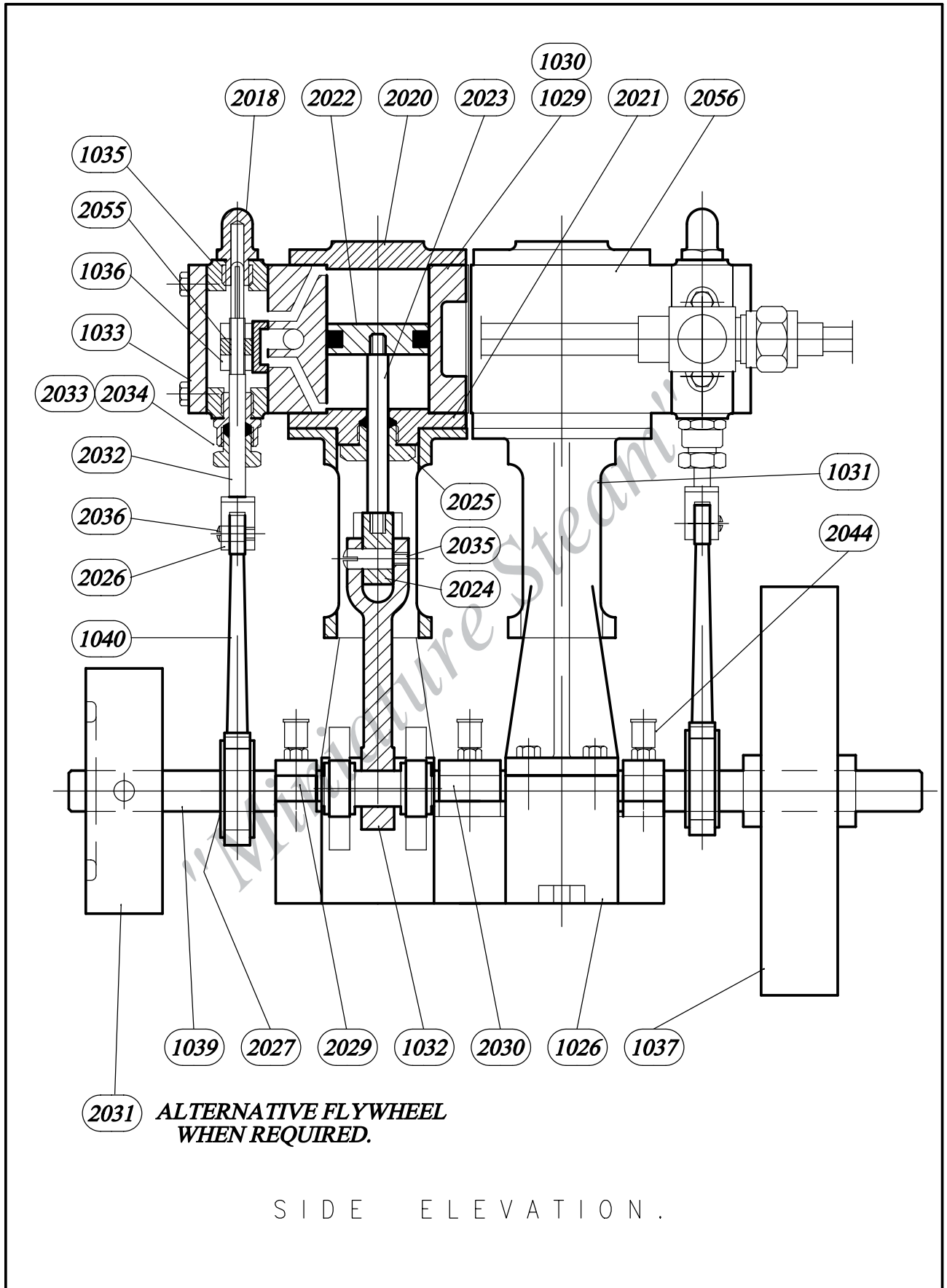


"Mildura" General Assembly - Side Elevation

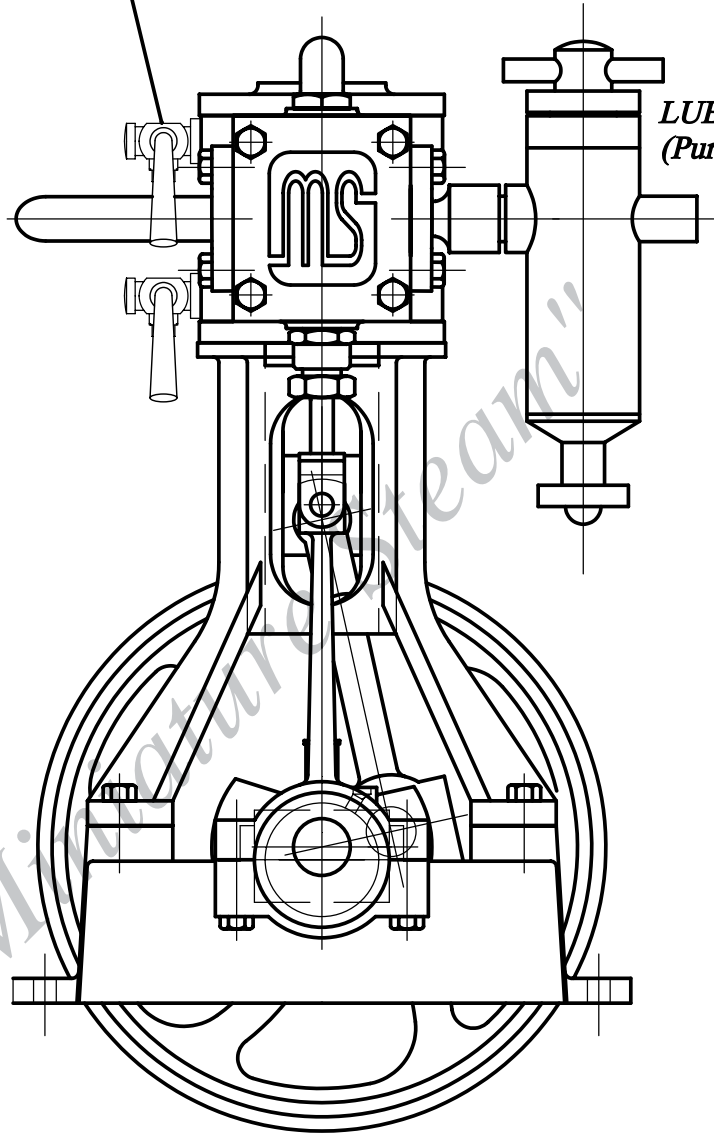


**2031 ALTERNATIVE FLYWHEEL
WHEN REQUIRED.**

<p>Miniature Steam Pty. Ltd. A.B.N. 21 757 946 436</p>	Title GENERAL ARRANGEMENT - 'MILDURA'			SHEET 1 OF 3
	Date: 15.08.07	Scale: N.T.S.	Part No. GA-0005	Rev. 1

"Mildura" General Assembly - End Elevation

*DRAIN COCKS.
(Purchase Only)*



*LUBRICATOR.
(Purchase Only)*

E N D E L E V A T I O N .

*Miniature Steam Pty. Ltd.
A.B.N. 21 757 946 436*

Title

GENERAL ARRANGEMENT - 'MILDURA'

SHEET 2 OF 3

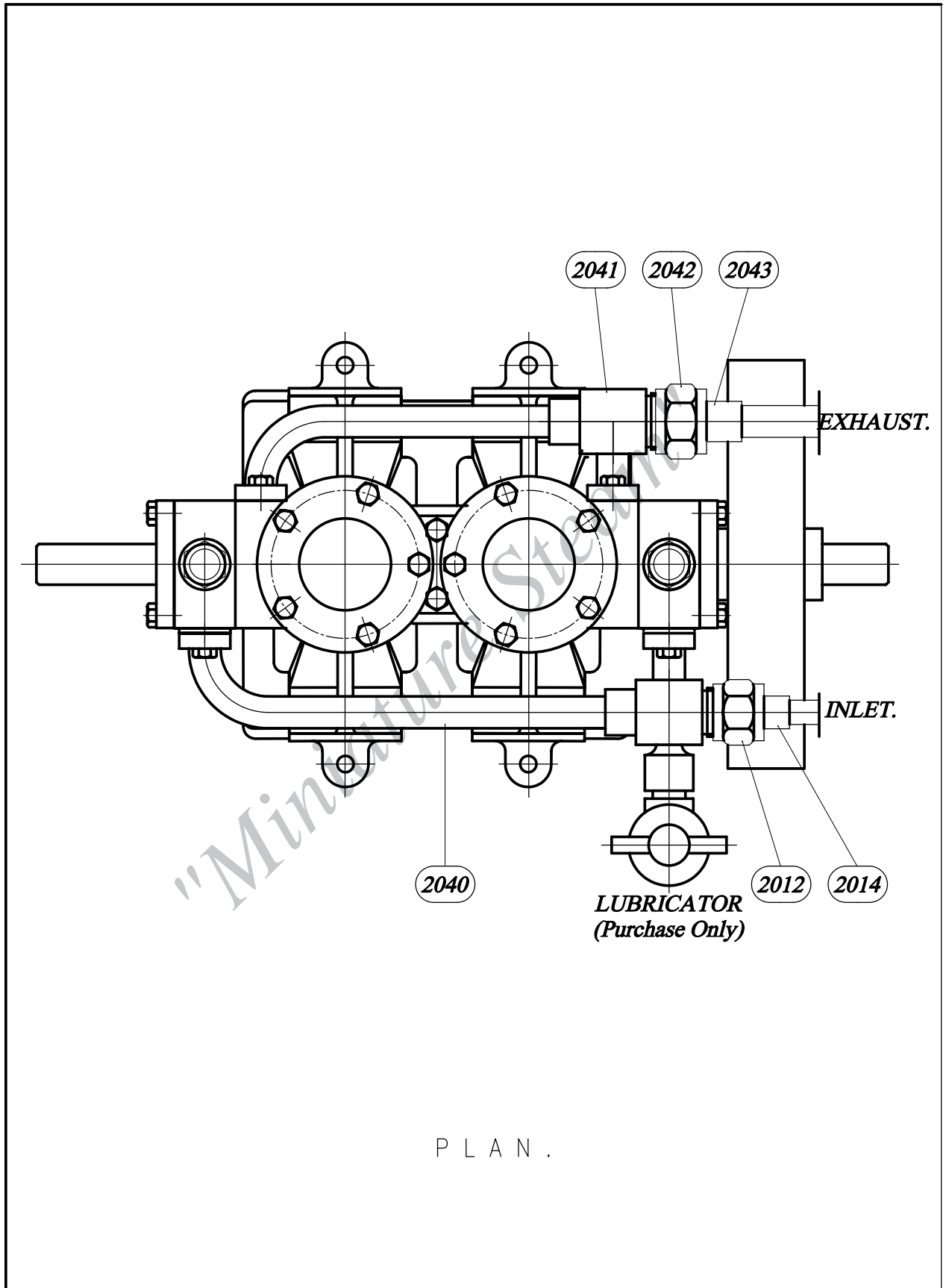
Date: **15.08.07**

Scale: **N.T.S.**

Part No. **GA-0005**

Rev. **1**

"Mildura" General Assembly - Plan View



<p><i>Miniature Steam Pty. Ltd.</i> A.B.N. 21 757 946 436</p>	<p>Title GENERAL ARRANGEMENT - 'MILDURA'</p>			<p>SHEET 3 OF 3</p>
	<p>Date: 16.08.07</p>	<p>Scale: N.T.S.</p>	<p>Part No. GA-0005</p>	