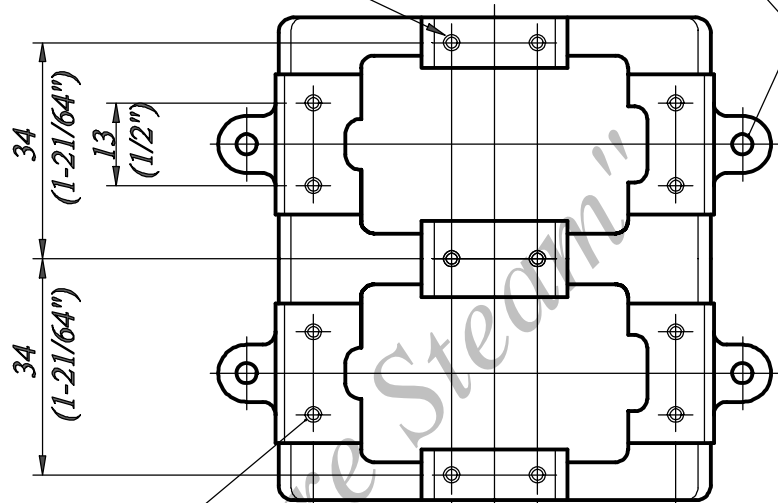


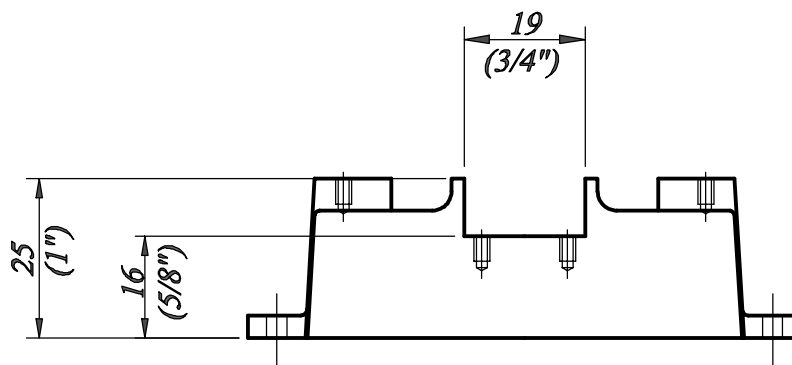
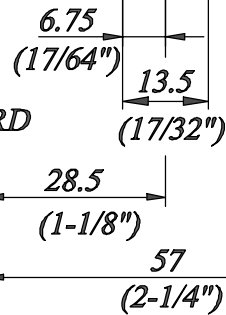
"Mildura" Base Sub-assembly P2/7

*DRILL & TAP SIX HOLES
7 B.A. x 5 DEEP.
HOLES TO MATCH BEARINGS
PART Nos. 2029 & 2030*

*Ø3.5 DRILL (9/64")
FOUR HOLES.*

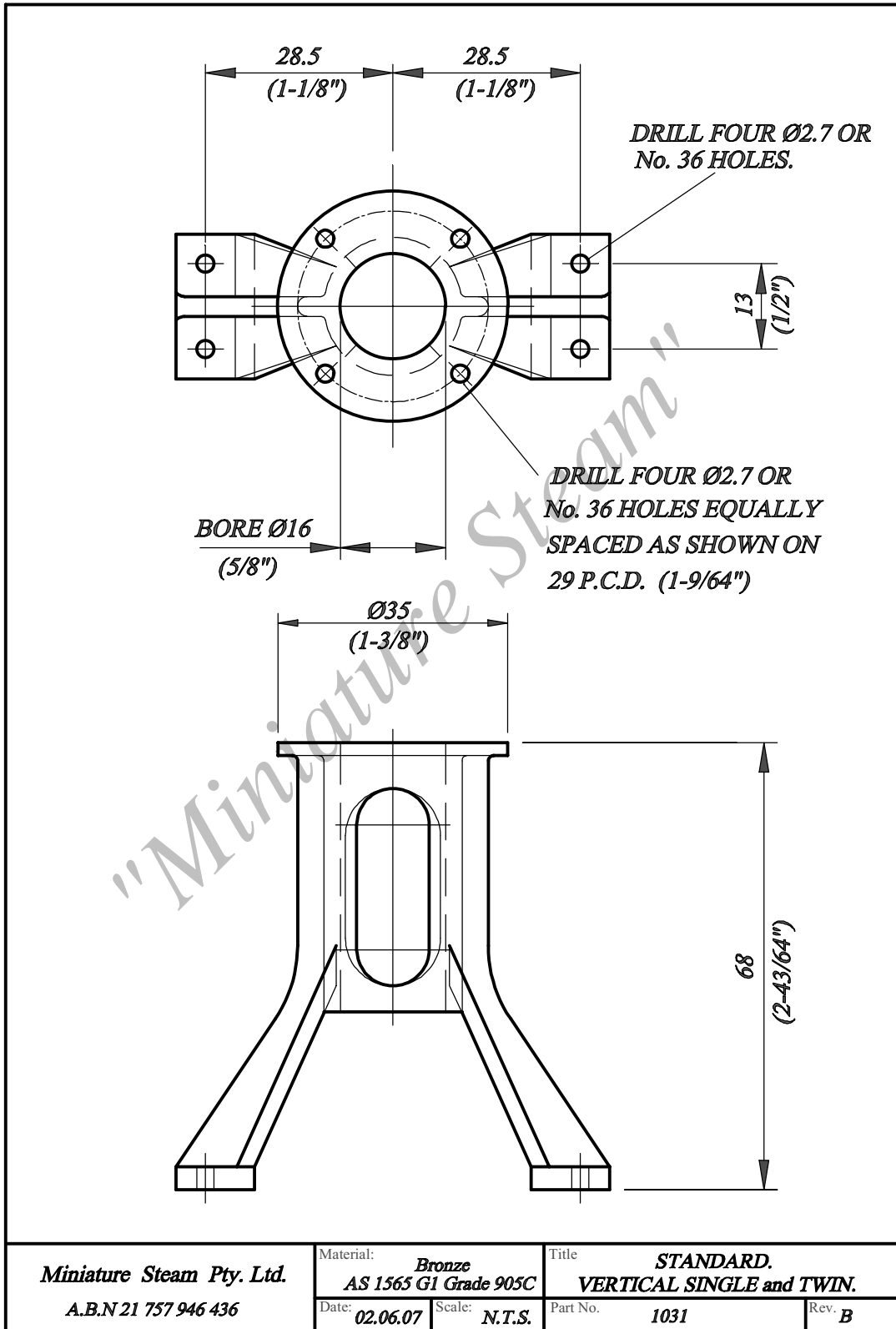


*DRILL & TAP EIGHT HOLES
7 B.A. x 5 DEEP.
HOLES TO MATCH STANDARD
PART No. 1031*

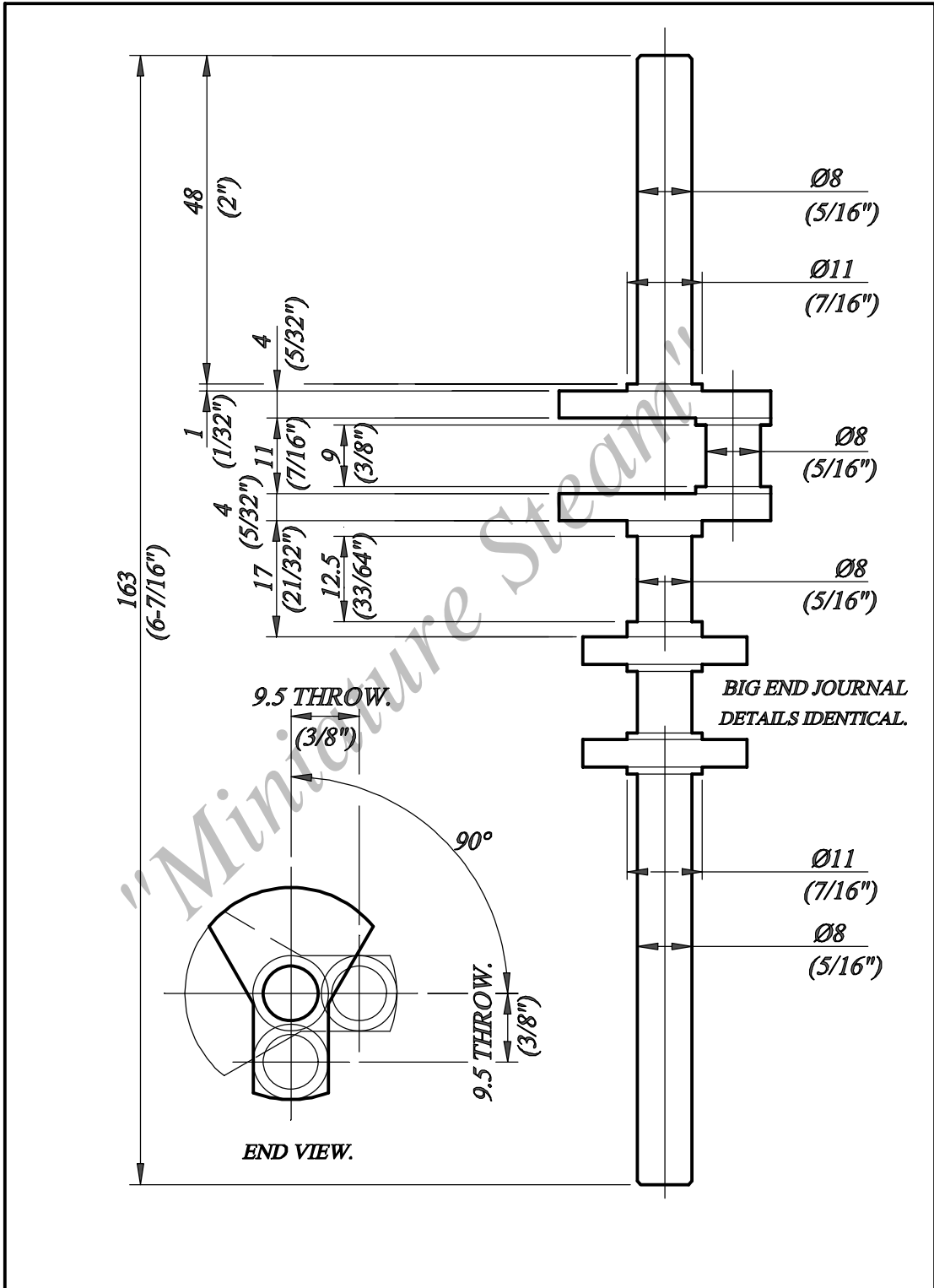


Miniature Steam Pty. Ltd. A.B.N. 21 757 946 436	Material: Bronze AS 1565 G1 Grade 905C	Title: BASE - VERTICAL TWIN CYLINDER.	
	Date: 19.03.08	Scale: N.T.S.	Part No. 1026

"Mildura" Base Sub-assembly P3/7

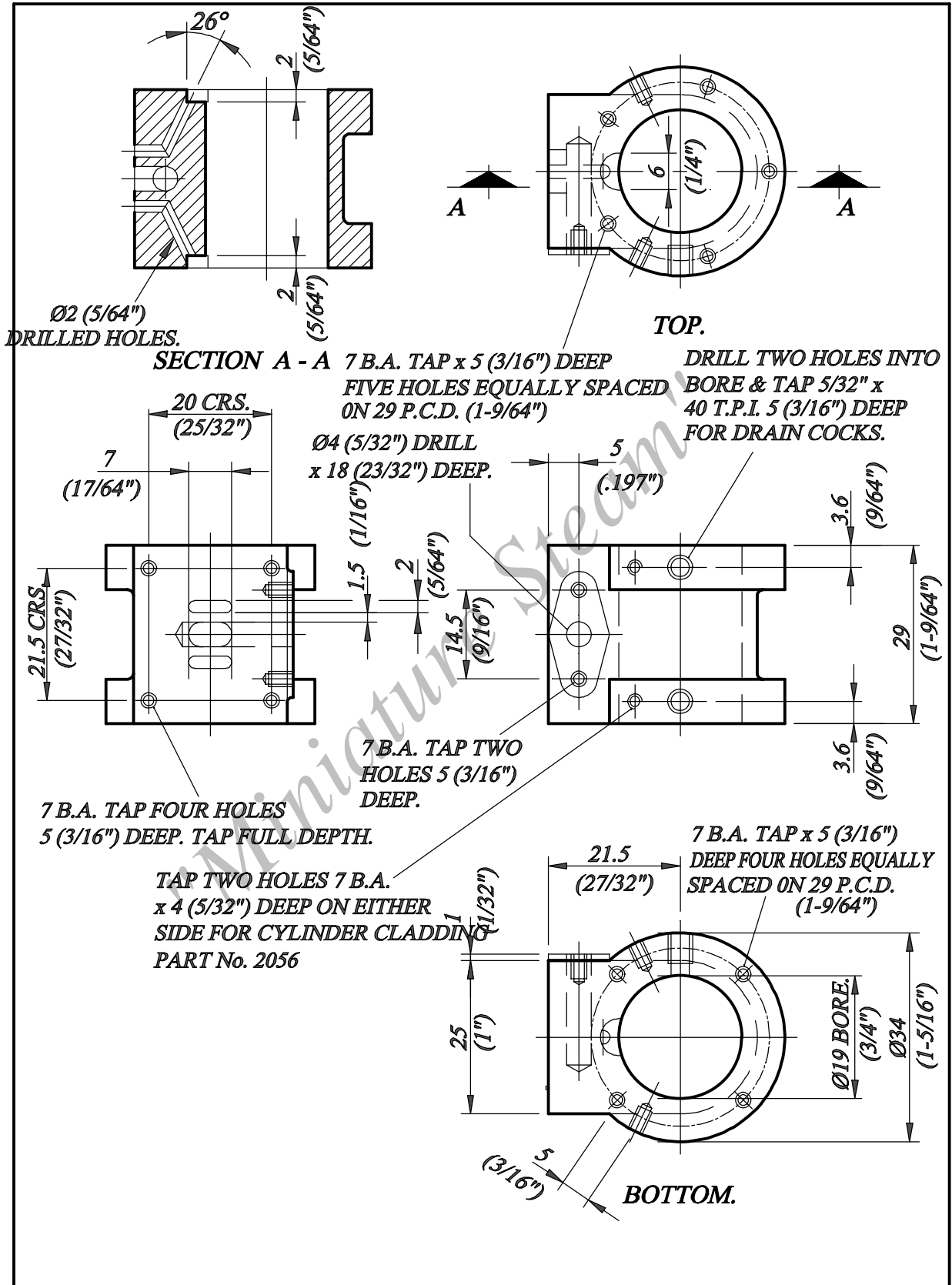


"Mildura" Base Sub-assembly P6/7



Miniature Steam Pty. Ltd. A.B.N. 21 757 946 436	Material: SPHEROIDAL GRAPHITE AS 1831/400-12	Title: CRANKSHAFT - TWIN CYLINDER.	
	Date: 19.03.08	Scale: N.T.S.	Part No. 1039

"Mildura" Cylinder Sub-Assembly P2/7



Miniature Steam Pty. Ltd. A.B.N. 21 757 946 436	Material: Bronze AS 1565 G1 Grade 905C	Title: CYLINDER - RIGHT HAND.	
	Date: 09.03.08	Scale: N.T.S.	Part No. 1029